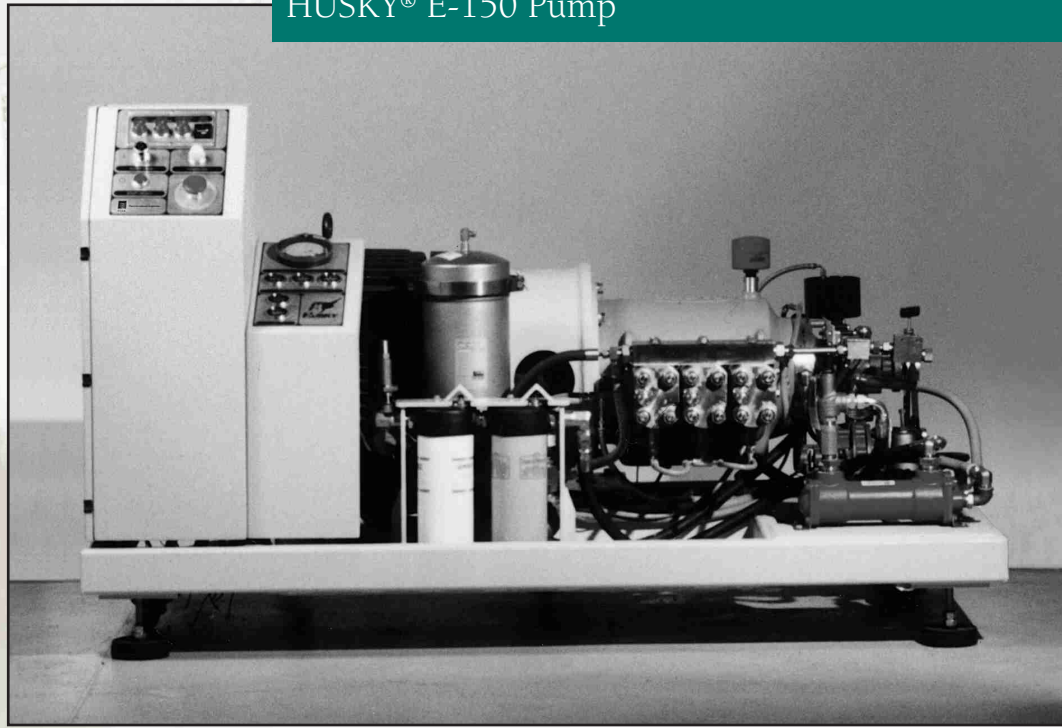




Flow

The electric HUSKY is the most powerful and durable UHP pump on the market. It is ideal for the marine industry, and other stationary surface preparation applications.

## HUSKY® E-150 Pump



### Standard Features

- Full pressure-compensation
- Single point pressure control
- 150 horsepower Reliance electric motor
- Fault indicator light and automatic shutdown for low inlet water pressure, pump temperature, and pump oil pressure
- Allen Bradley programmable controller
- Closed-loop lubrication system for pump cooling
- Inlet water booster pump with water filtration to 10 micron absolute
- High-pressure/over-pressure protection valve
- Rugged steel frame
- Dual high-pressure outlets
- Pressure relieves instantly when system shuts off

### Benefits

- Increased productivity
- Reduced energy costs
- Simplified environmental compliance
- Advanced safety features protect workers
- Low maintenance

### Most Powerful, Most Productive UHP Pump in the World

The HUSKY is the world's only 40,000 psi direct drive plunger pump with full pressure compensation. It can drive single or multiple tools with equal and uninterrupted flow and pressure.

Only the HUSKY can deliver 40,000 psi [2,720 bar] and flow rates up to 5.6 gpm [24.0 lpm]. This full HUSKY power makes it the pump of choice for tough applications—from hand-held industrial cleaning and surface preparation jobs, to robotic cleaning installations in enclosed factory settings.

### Field-Proven Dependability

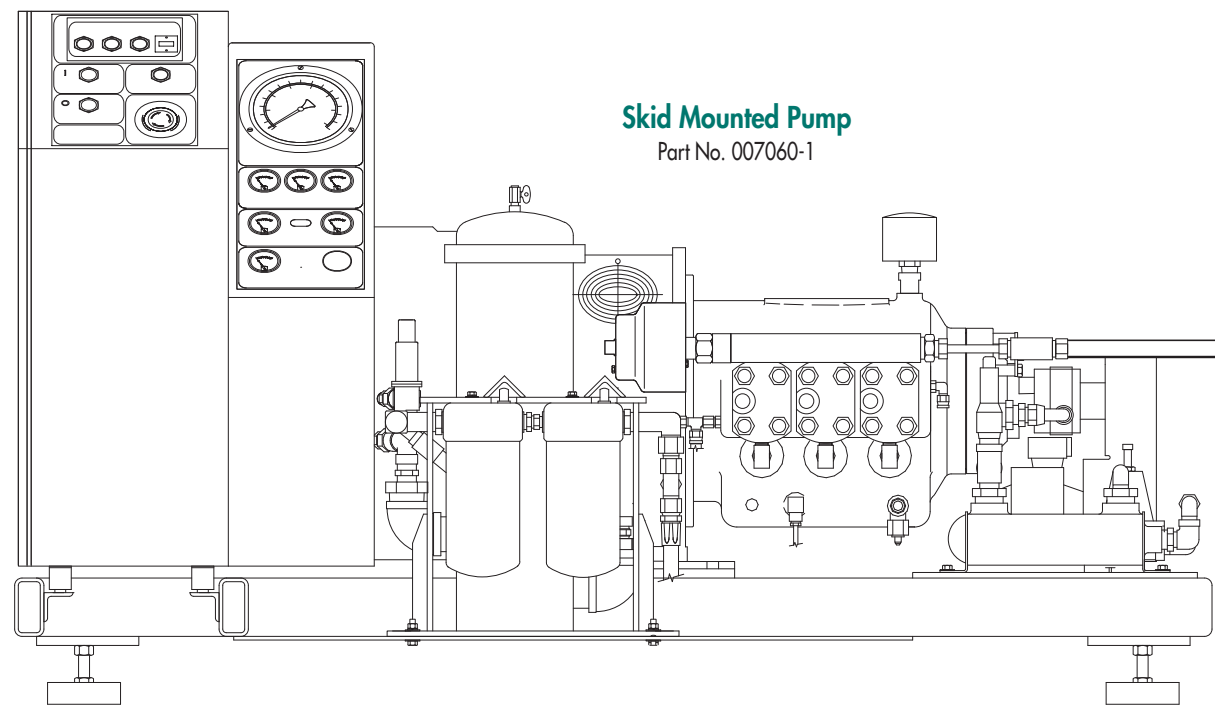
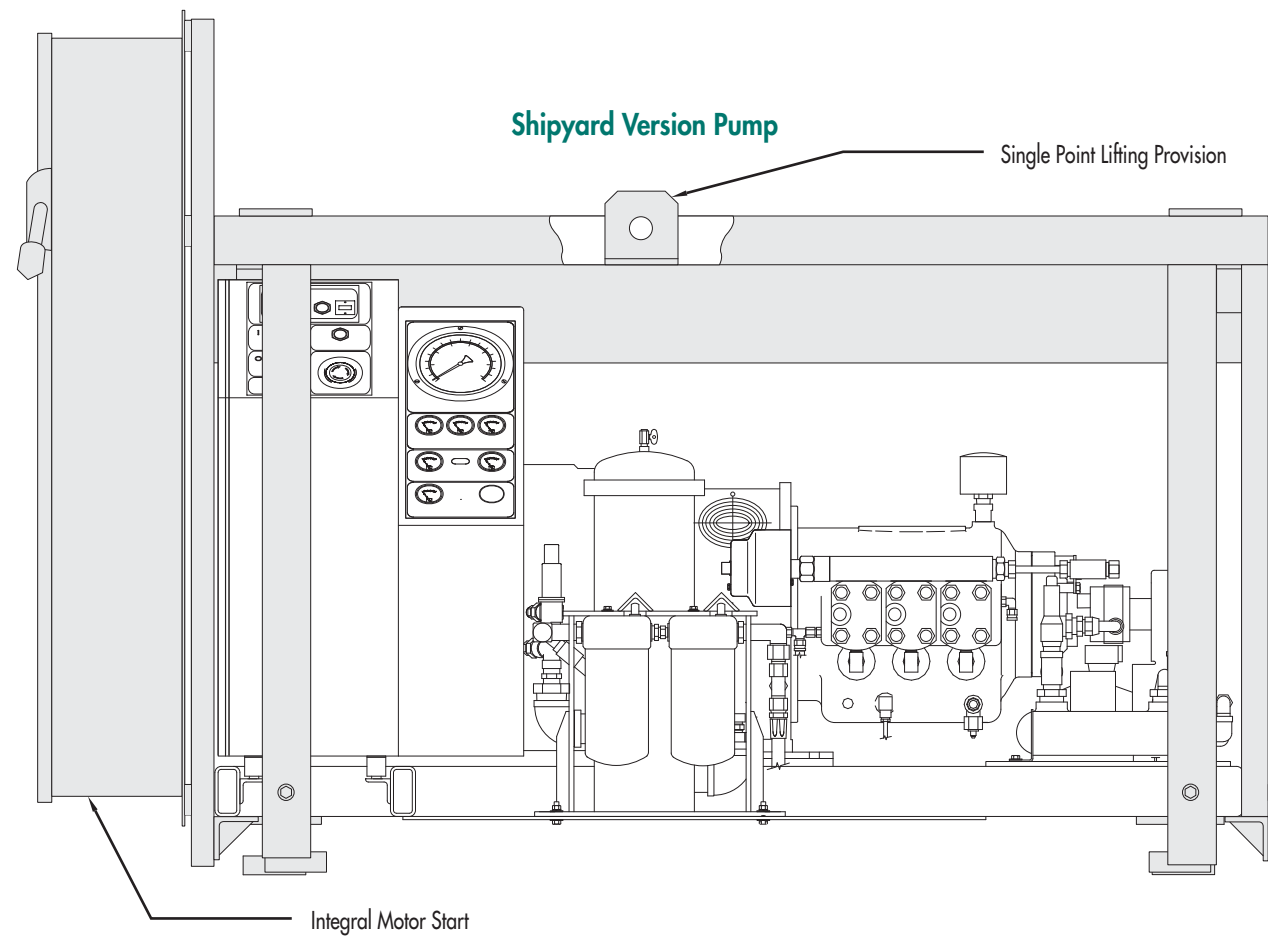
There are more HUSKYs in the field than all other UHP direct drive pumps combined. It has proven its toughness and demonstrated its ability to handle demanding industrial applications, whether at sea, in the field, or on a factory floor. To adapt the HUSKY to unique shipyard requirements, FLOW added an integral motor starter, a single point lifting provision and a rugged steel frame that surrounds the pump.

All HUSKYs include a special oil/water separator system which reduces crankcase condensation. Safety features such as sensor lights and automatic shutdowns increase machine reliability and worker protection.

The HUSKY's simple design with easy access to seals and check valves makes routine maintenance just that—routine. FLOW assembles its own products and manufactures its own parts to assure ultrahigh quality.

# HUSKY E-150

## And Options

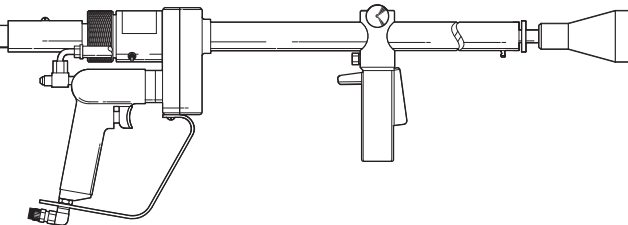


Manifold

Part No. 008556-1

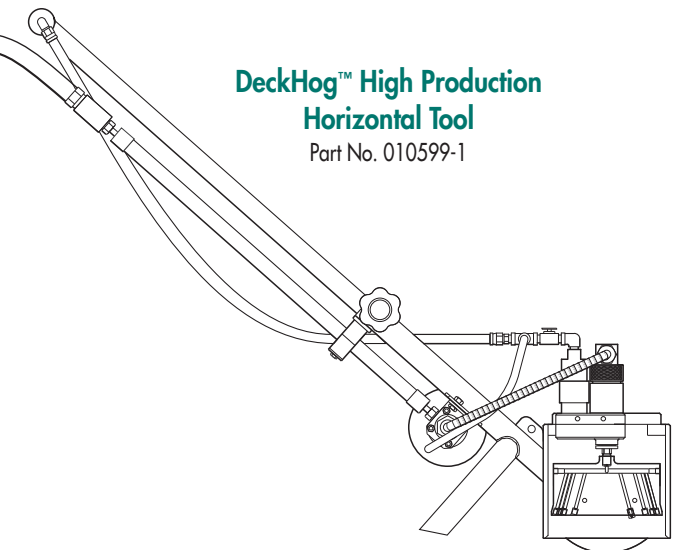
A-3000 High RPM Pneumatic Hand Tool

Part No. 008346-1



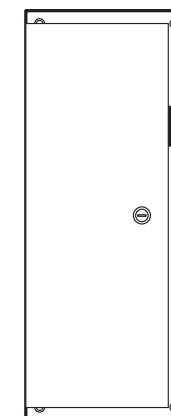
DeckHog™ High Production Horizontal Tool

Part No. 010599-1



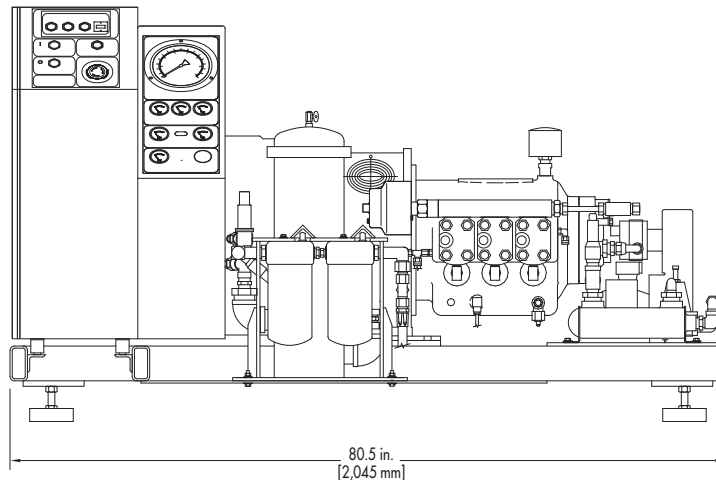
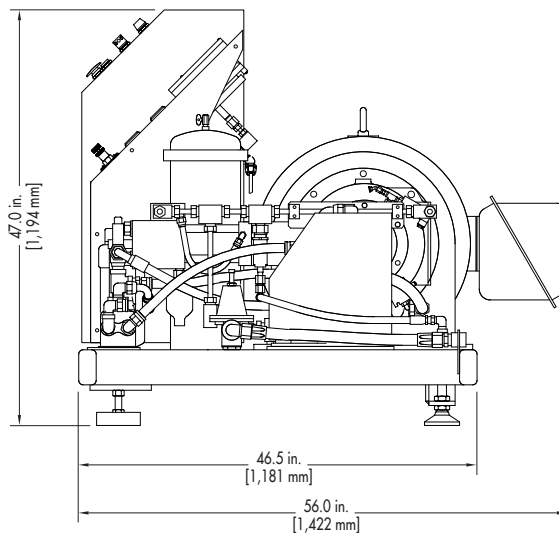
(Optional) Wall Mounted Motor Starter

Part No. A-00381-XX



## Specifications

Pumped Fluid .....	Water
High-Pressure Pump	
Type .....	Triplex
Drive type .....	Direct
Pressure compensation .....	External
Cooling system .....	Liquid
Maximum Continuous Operation	
Design pressure .....	40,000 psi [2,720 bar]
Output flow rate .....	5.6 gpm @ 1,750 rpm [24 lpm]
Water Filtration Provided .....	10 micron absolute
Weight .....	4,500 lbs [2,041 kg]
Mounting Type .....	Skid
Electric Motor	
Manufacturer .....	Reliance
Horsepower .....	150 (continuous duty)



## Flow International Corporation

is the world's leading developer and manufacturer of ultrahigh-pressure (UHP) waterjet technology for cutting, cleaning and food safety applications. FLOW provides total system solutions for industries including automotive, aerospace, paper, surface preparation and food production.

### United States, Mexico and Central America

#### Flow International Corporation

World Headquarters  
23500 64th Avenue South  
P.O. Box 97040  
Kent, Washington 98064-9740 USA  
Tel: 253-850-3500 • Fax: 253-813-3285  
TOLL-FREE 800-446-3569  
www.flowcorp.com

#### Flow International/Eastern Technical Service

30000 Beck Road  
Wixom, Michigan 48393 USA  
Tel: 248-669-1101 • Fax: 248-669-1181  
Tech Service Tel: 248-669-4003  
Tech Service Fax: 248-669-9008

#### Spearhead Automated Systems

41211 Vincenti Court  
Novi, Michigan 48390 USA  
Tel: 248-474-5263 • Fax: 248-474-5286  
www.spearheadgrp.com

#### Flow Autoclave Systems, Inc.

3721 Corporate Drive  
Columbus, Ohio 43231 USA  
Tel: 614-891-2732 • Fax: 614-891-4568  
www.flowae.com

#### Flow Robotics

1635 Production Road  
Jeffersonville, Indiana 47130 USA  
Tel: 812-283-7888 • Fax: 812-284-3281  
www.flowrobotics.com

### Canada

#### Flow Automation

970 Syscon Road  
Burlington, Ontario, Canada L7L 5S2  
Tel: 905-681-8575 • Fax: 905-681-8580  
E-mail: sales@flowautomationcorp.com  
www.flowautomationcorp.com

#### Flow Software Technologies

3070 Jefferson Boulevard  
Windsor, Ontario, Canada N8T 3G9  
Tel: 519-948-6027 • Fax: 519-948-6620  
www.workspace5.com

### South America

#### Flow South America

Rua do Curtume, 694 - Lapa  
São Paulo, SP 05065-001 Brazil  
Tel: +55-11-3611-2822 • Fax: +55-11-3611-3322  
E-mail: flowlatinosales@attglobal.net  
www.flowlatino.com

### Europe, Middle East and Africa

#### Flow Europe GmbH

Daimlerweg 6  
D-64293 Darmstadt, Germany  
Tel: +49-6151-88030 • Fax: +49-6151-893822  
www.flowgmbh.com

#### Flow Pressure Systems

SE 721 66 Västerås, Sweden  
Tel: +46-21-327000 • Fax: +46-21-327305  
www.flowpress.com

### Asia, Australia, New Zealand, Korea and China

#### Flow Asia

No. 2 Technology 3rd Road  
Science-Based Industrial Park  
Hsin Chu, Taiwan  
Tel: +886-(0)3-577-2102 • Fax: +886-(0)3-577-3070  
www.flowasia.com

### Japan

#### Flow Japan

13-13, Tsukiji 1-Chome  
Chuo-ku, Tokyo 104-0045, Japan  
Tel: +813-5565-5801 • Fax: +813-5565-5828  
www.flowjapan.co.jp

### Regional Sales Representatives

are located throughout the United States. Call 1-800-446-3569 for the representative nearest you.

### International Distributors and Agents

are located worldwide.



Flow

