



Flow

This lightweight cleaning tool uses ultrahigh-pressure water to provide unmatched performance for surface preparation projects.

## A-3000 High RPM, Lightweight Handtool



### Standard Features

- Remotely located on/off valve
- Advanced ergonomic design
- Lightweight
- Patented swivel design allows quick change of high-pressure seals and easy maintenance
- Second safety trigger requires operator to have both hands on tool for safe operation
- Runs from any compressed air source with greater than 32 scfm at 90 psi
- FLOW patented Hornet™ nozzles

### Benefits

- Reduced operator fatigue improves safety and productivity
- Pneumatic power means no oil spills
- High removal rates with minimal waste water

### Safely and Quickly Removes Tough Materials

Flow International Corporation's (FLOW) A-3000 ultralight handtool combines the power of ultrahigh-pressure (UHP) water (and its relatively low water volumes) with extremely high nozzle rotation speeds. The result is a versatile tool that offers excellent removal rates for a wide variety of surface prep projects.

This multi-purpose tool offers superior performance and control. Rotating a variety of multiple-orifice tips at up to 3,000 rpm, the A-3000 delivers as much as 6.5 gallons [22.7 liters] per minute of ultrahigh-pressure water. It is the only handtool rated for operating pressures of 45,000 psi [3,100 bar].

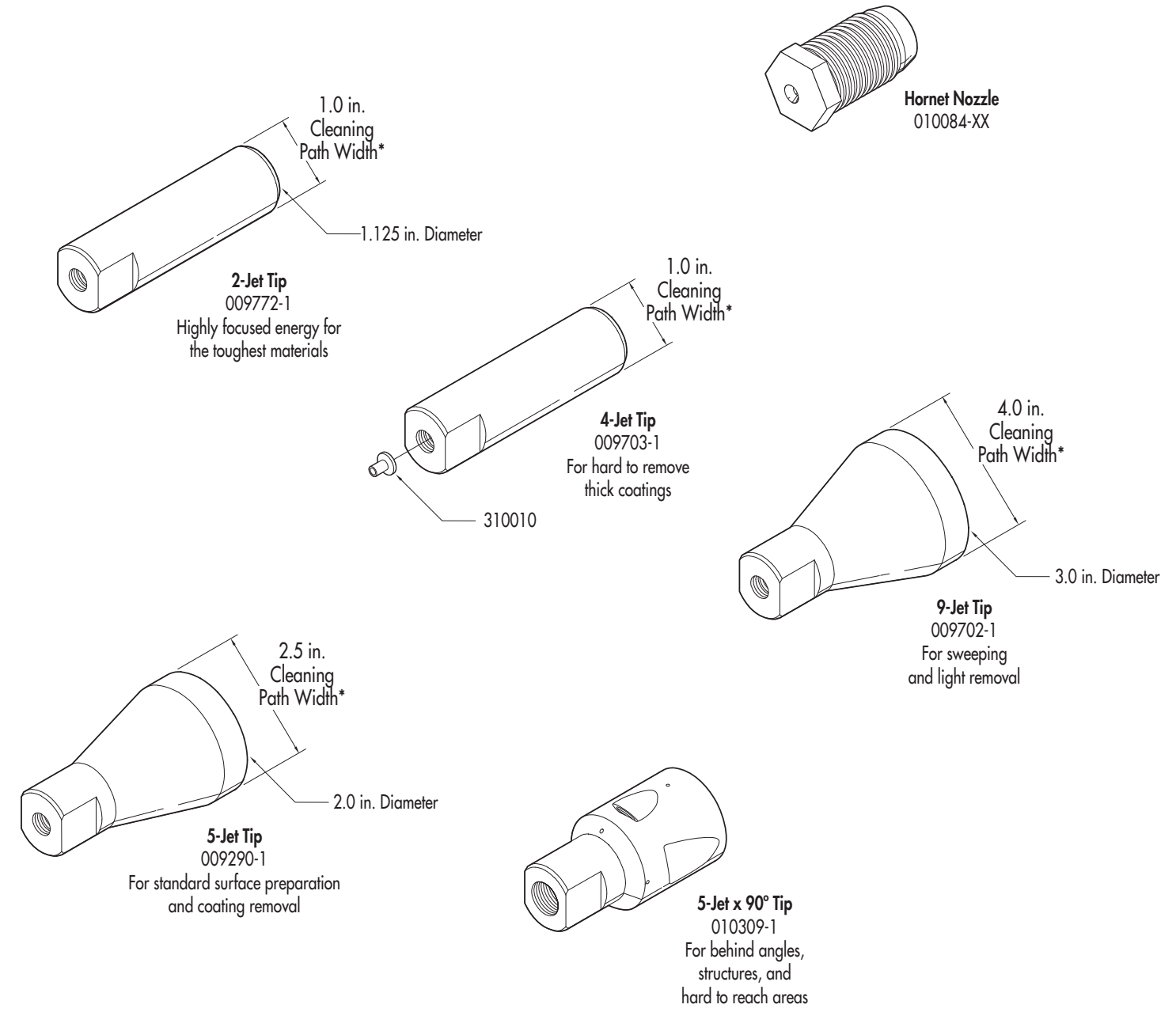
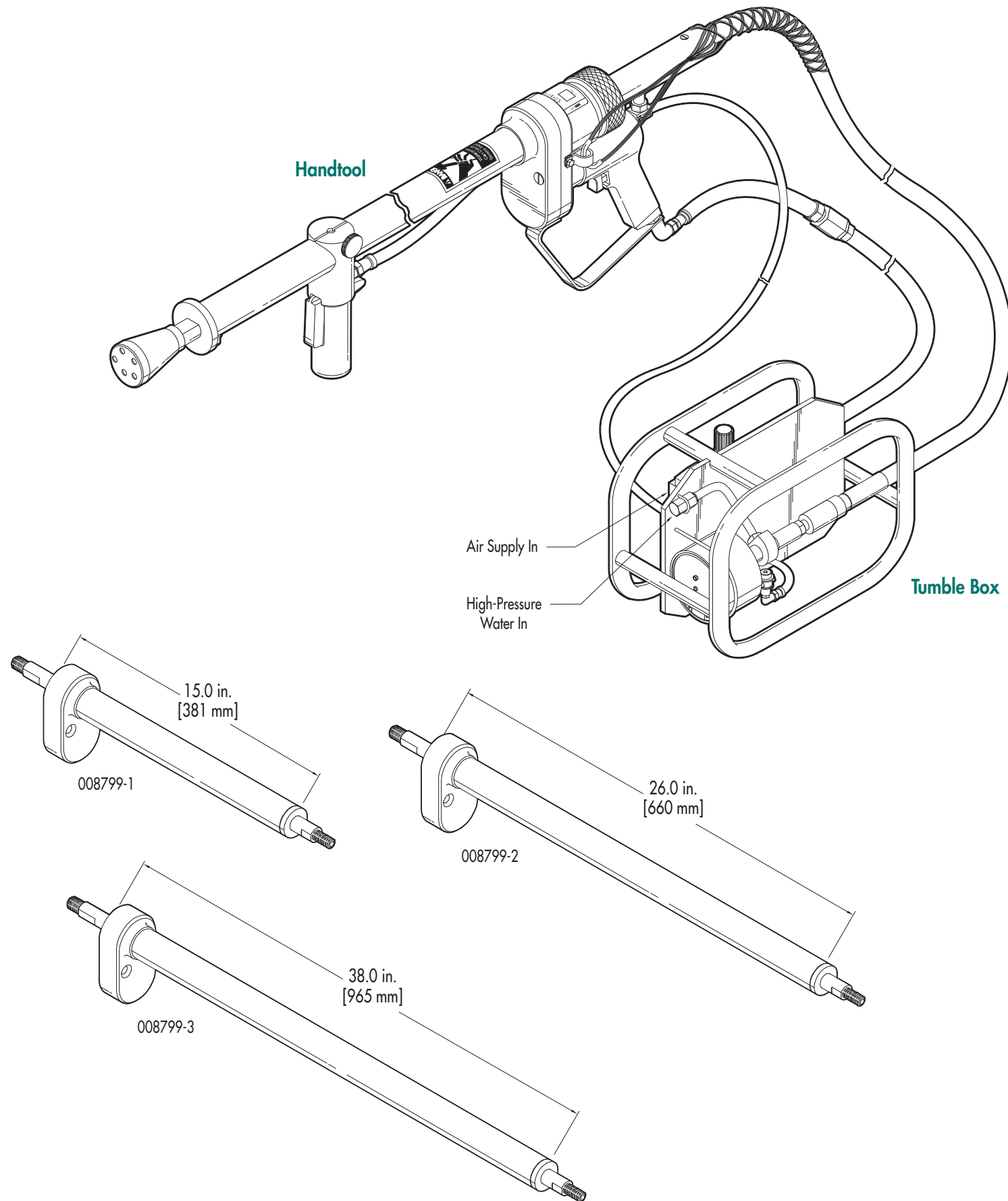
### Multiple Applications Multiply the Savings

The A-3000's high rotation speed makes it the ideal tool to remove the toughest coatings, including epoxies, resins, paint, rust, scale, calcium deposits and oxides. And because it is air-powered, the A-3000 is easily operated from any compressed air supply.

With its unmatched productivity and low water volumes, the A-3000 is an environmentally-sensible alternative to grit blasting, burning and chemical removal. The A-3000's light weight reduces operator fatigue so workers can work longer, and more safely.

# A-3000 Ultralight

## Waterjet Surface Prep System



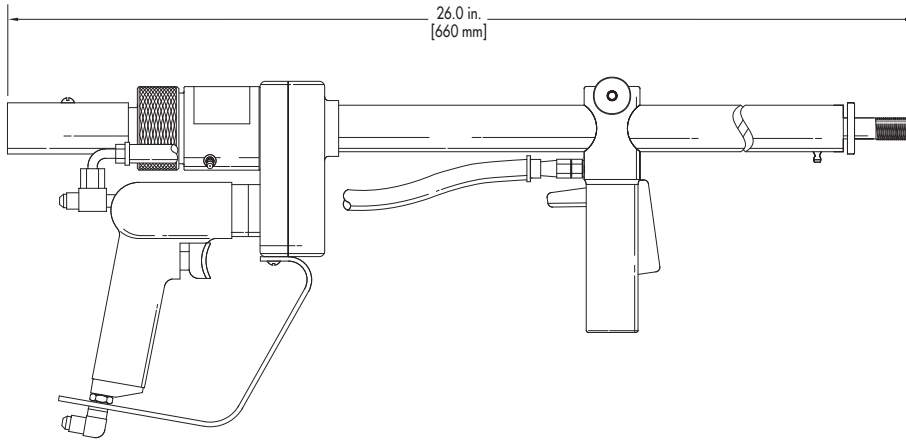
\*Approximate cleaning path width @ 2" stand-off

**Optional Features:** The A-3000 tool can be ordered with several options. There are three stem extension kits available: 15 in., 26 in., and 38 in. (381, 660 and 965 mm). Also available are a shield assembly, a shroud assembly and a variety of nozzles.

40,000 psi Nozzle Loading Chart				
Quantity	2-Jet	4-Jet	5-Jet	9-Jet
3 gpm (11.4 lpm)	010084-19	010084-13	010084-12	010084-9

## A-3000 Specifications

Tool weight .....	11.0 lbs [4.98 kg]
Maximum operating pressure .....	45,000 psi [3,100 bar]
Air required .....	32 scfm @ 90 psi
Working rotation speed .....	3,000 rpm
Motor horsepower.....	0.7 hp [0.5 kW]



## 009104-1 A-3000 Spare Parts Kit

Standard spares and consumables kit includes:

Quantity	Part Number	Description
10	008576-1	Swivel Repair Kit
1	009266-1	Valve Repair Kit
1	008169-1	Spindle Assembly
1	303270-01	Backup Ring Assembly
3	A-9718	Belt
2	008166-1	Bushing
1	A-7155	Seal
5	A-0275-030	O-Ring

## Flow International Corporation

is the world's leading developer and manufacturer of ultrahigh-pressure (UHP) waterjet technology for cutting, cleaning and food safety applications. FLOW provides total system solutions for industries including automotive, aerospace, paper, surface preparation and food production.

### United States, Mexico and Central America

#### Flow International Corporation

World Headquarters  
23500 64th Avenue South  
P.O. Box 97040  
Kent, Washington 98064-9740 USA  
Tel: 253-850-3500 • Fax: 253-813-3285  
TOLL-FREE 800-446-3569  
www.flowcorp.com

#### Flow International/Eastern Technical Service

30000 Beck Road  
Wixom, Michigan 48393 USA  
Tel: 248-669-1101 • Fax: 248-669-1181  
Tech Service Tel: 248-669-4003  
Tech Service Fax: 248-669-9008

#### Spearhead Automated Systems

41211 Vincenti Court  
Novi, Michigan 48390 USA  
Tel: 248-474-5263 • Fax: 248-474-5286  
www.spearheadgrp.com

#### Flow Autoclave Systems, Inc.

3721 Corporate Drive  
Columbus, Ohio 43231 USA  
Tel: 614-891-2732 • Fax: 614-891-4568  
www.flowae.com

#### Flow Robotics

1635 Production Road  
Jeffersonville, Indiana 47130 USA  
Tel: 812-283-7888 • Fax: 812-284-3281  
www.flowrobotics.com

### Canada

#### Flow Automation

970 Syscon Road  
Burlington, Ontario, Canada L7L 5S2  
Tel: 905-681-8575 • Fax: 905-681-8580  
E-mail: sales@flowautomationcorp.com  
www.flowautomationcorp.com

#### Flow Software Technologies

3070 Jefferson Boulevard  
Windsor, Ontario, Canada N8T 3G9  
Tel: 519-948-6027 • Fax: 519-948-6620  
www.workspace5.com

### South America

#### Flow South America

Rua do Curtume, 694 - Lapa  
São Paulo, SP 05065-001 Brazil  
Tel: +55-11-3611-2822 • Fax: +55-11-3611-3322  
E-mail: flowlatinosales@attglobal.net  
www.flowlatino.com

### Europe, Middle East and Africa

#### Flow Europe GmbH

Daimlerweg 6  
D-64293 Darmstadt, Germany  
Tel: +49-6151-88030 • Fax: +49-6151-893822  
www.flowgmbh.com

#### Flow Pressure Systems

SE 721 66 Västerås, Sweden  
Tel: +46-21-327000 • Fax: +46-21-327305  
www.flowpress.com

### Asia, Australia, New Zealand, Korea and China

#### Flow Asia

No. 2 Technology 3rd Road  
Science-Based Industrial Park  
Hsin Chu, Taiwan  
Tel: +886-(0)3-577-2102 • Fax: +886-(0)3-577-3070  
www.flowasia.com

### Japan

#### Flow Japan

13-13, Tsukiji 1-Chome  
Chuo-ku, Tokyo 104-0045, Japan  
Tel: +813-5565-5801 • Fax: +813-5565-5828  
www.flowjapan.co.jp

### Regional Sales Representatives

are located throughout the United States. Call 1-800-446-3569 for the representative nearest you.

### International Distributors and Agents

are located worldwide.



Flow

